

H 43 TPX



- Continuous outreach control
- Maximum platform capacity for 3 people (450kg)
- Max 65ft 7in (20 m) horizontal outreach.
- 4 wheel drive and steer.
- Extending and oscillating axles.

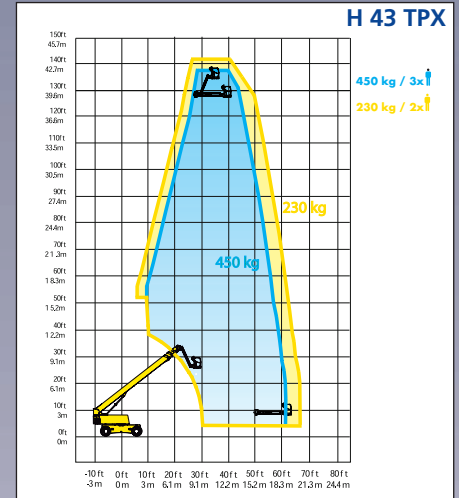
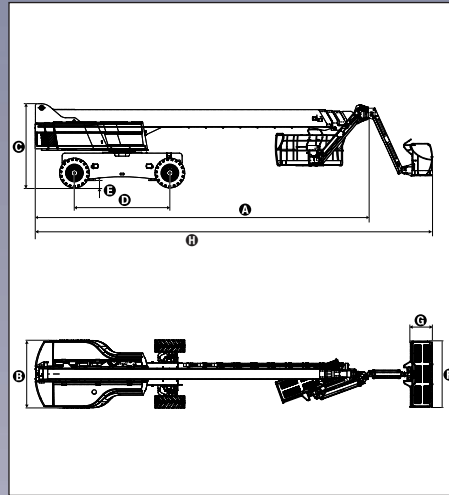


H 43 TPX

Telescopic boom

The Haulotte® advantages

- Sectional load : 450 kg (3 people) or 230 kg (2 people)
- Max 65ft 7in (20 m) horizontal outreach.
- Gradeability up to 40%.
- Hydraulic differential lock and 15 in (38 cm) ground clearance for improved rough terrain.
- Continuous 360° turntable rotation.
- Proportional and simultaneous controls for higher speed and accuracy.
- Robust, reliable and easy to maintain design.



STANDARD FEATURES

- 3° tilt alarm
- Extending axles
- Oscillating axles
- Sound and light signal for tilt and weighing
- Rotating engine tray for easier maintenance
- 4 wheel drive and steer
- Proportional controls
- Cover opening upwards
- Visual indicator system on the upper control platform: visual fault indicator: tilt, fuel indicator and visual indicator for the pedals, charges selection.
- Towing hawks
- 180° hydraulic platform rotation.

OPTIONS & ACCESSORIES

- Power line to cage
- Platform : 2ft 11in x 6ft (0,91 m x 1,83 m)
- Alarm kit (includes rotating light and acoustic displacement signal)
- Compressed air hose Ø 13
- Generator 3300W
- Encoded starting device
- Biodegradable hydraulic oil

SPECIFICATIONS

	H 43 TPX	
Working height	43.00 m	141 ft
Platform height	41.00 m	134 ft 6 in
Maximum outreach	20.00 m	65 ft 7 in
Platform capacity	230 kg ou 450 kg	507 lb or 992 lb
Vertical jib displacement	140° (-70° / +70°)	
Horizontal jib displacement	150° (-75°/+75°)	
Jib length	2.20 m	7 ft 2 in
A Travel/transport length	12.30 m	40 ft 4 in
B Width	2.53 m	8 ft 3 in
C Stowed height	3.05 m	10 ft
D Wheelbase	3.50 m	11 ft 5 in
E Ground clearance	38 cm	15 in
F x G Platform size	2.44 m x 0.8 m	96 in X 32 in
H Stowed Length	14.50 m	49 ft 2 in
Width (with extended axles)	3.33 m	10 ft 11 in
Travel/transport height	3.05 m	10 ft
Tailswing	1.45 m	4 ft 9 in
Drive speed	5 km/h	3.1 mph
Outside turning radius	5.10 m	16 ft 8 in
Turntable rotation	360° continuous	
Hydraulic platform rotation	180° (-90° / +90°)	
Jib rotation for transportation	-160°	
Engine	Perkins Diesel - 64 kW - 87 CV	
Gradeability	40%	
Tyres (foam filled)	445/65-22,5	
Hydraulic tank	240 l	63 gal
Fuel tank	140 l	37 gal
Weight	20 580 kg	44.975 lb

AS 1418.10



Haulotte GROUP

2420328040 - Ed. 04/2006 - Copyright © by Pinguely-Haulotte - products specifications are subject to change without notice - non contractual pictures.

HAULOTTE UK LTD • STAFFORD PARK 6 • TELFORD - SHROPSHIRE TF3 3AT • TEL: +44 (0)1952 292753 • FAX: +44 (0)1952 292758 • E-mail: haulotte@haulotte.co.uk
 HAULOTTE SCANDINAVIA AB • ARÖDS INDUSTRIVÄG 66 B • 422 43 HISINGS BACKA - SWEDEN • TEL: +46 31 744 32 90 • FAX: +46 31 744 32 99 • E-mail: hwallin@haulotte.se • www.haulotte.se
 HAULOTTE AUSTRALIA PTY LTD • 65 LICOLA CRES • DANDENONG - VIC - 3175 • TEL: +61 (0)3 9706 6787 • FAX: +61 (0)3 9706 6797 • E-mail: sales@haulotte.com.au
 HAULOTTE SINGAPORE PTE. LTD • 26 Changi North Road Way • SINGAPORE 498812 • TEL: +65 6536 3989 • FAX: +65 6536 3969 • E-mail: haulotteasia@haulotte.com

Haulotte Group - La Péronnière - BP 9 - 42152 l'Horme - France • Tél : +33 (0)4 77 29 24 24 - Fax : +33 (0)4 77 29 43 95
 e.mail - haulotte@haulotte.com • web : http://www.haulotte.com